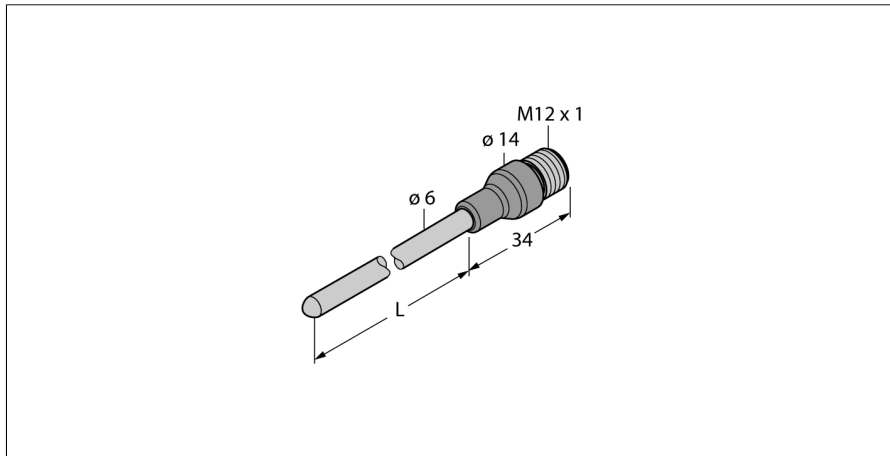
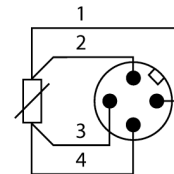


Temperature measurement
Probe
TP-206B-CF-H1141-L200/D805



- Pt-100 probe acc. to DIN EN 60751
- Vibration and shock-resistant
- Connectable to TS, TTM, IM34, BL20, BL67
- Max. temperature connector: 90 °C
- 4-wire connection technology

Wiring Diagram



General description

Resistance thermometers are used for the detection and monitoring of temperatures to optimize and control a process.

Typical applications are in machine and plant construction as well as in the process industry. The core element of the temperature probe is a temperature-dependent resistor.

Type designation	TP-206B-CF-H1141-L200/D805
Ident-No.	9910521
Mounting conditions	Immersion sensor
Storage temperature	-40...+85 °C
Design	Temperature probe
Electrical connection	Connector, M12, 4-pin
Protection class	IP67
MTTF	2283 years acc. to SN 29500 (Ed. 99) 20 °C
Packaging unit	1

Temperature measurement
 Probe
 TP-206B-CF-H1141-L200/D805



Accessories

Type code	Ident-No.	Description	
CF-M-6-G1/4-A4	9910483	Compression ferrule fittings for direct mounting of temperature probes	
CF-M-6-N1/4-A4	9910484	Compression ferrule fittings for direct mounting of temperature probes	
CF-M-6-M18-A4	9910525	Compression ferrule fittings for direct mounting of temperature probes	
CF-M-6-N1/2-A4	9910529	Compression ferrule fittings for direct mounting of temperature probes	
CF-M-6-G1/2-A4	9910530	Compression ferrule fittings for direct mounting of temperature probes	